



60Hz VENTILATION SOLUTIONS



NUAIRE. FOR THE COMPLETE VENTILATION SOLUTION





WITH A RECORD OF QUALITY WHICH IS THE ENVY OF THE INDUSTRY...

...Nuaire is a British company with a long history of innovation in a field of ventilation and air movement solutions, and its products are known across the world for their superb quality and efficiency.

Founded in 1966, Nuaire has a long and much-admired heritage in developing and manufacturing ventilation products. The company's products are renowned worldwide, likewise their unrivalled customer service, and it is this combination which has ensured that Nuaire's products have been sold into more than 60 countries around the world, including in the Middle East, Europe, the USA and Asia.





DIRECT DRIVEN INLINE CENTRIFUGAL - DAVE

High efficiency direct driven inline centrifugal fan range. Units are suitable for internal and external installation at any angle. Units have patented 'Floating Fan' technology to minimise vibration and sound levels. Units come complete with Ecosmart speed controls.

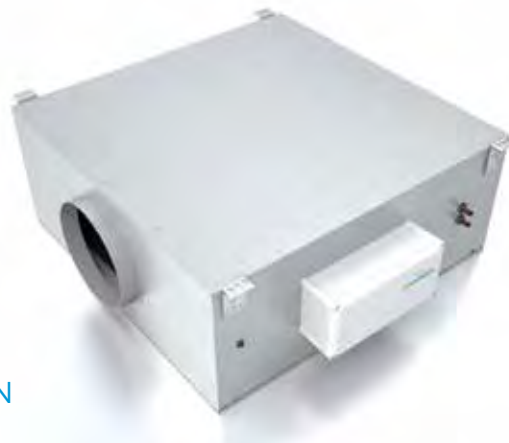


KEY BENEFITS:

- ▶ **LATEST EC TECHNOLOGY** - PERFORMANCE OPTIMISED BACKWARD CURVED IMPELLERS AND IP54 EC MOTORS PROVIDE LOW SPECIFIC FAN POWERS AND STEPLESS SPEED CONTROL WITHOUT TONAL NOISE GENERATION
- ▶ **FLEXIBLE SOLUTION** - INTERNAL AND EXTERNAL MOUNTING OPTIONS AT ANY ANGLE
- ▶ **CORROSION RESISTANT** - ALUZINC CORROSION RESISTANT CASING
- ▶ **EASY TO INSTALL** - BRACKETS USED TO MOUNT PRODUCT, OR USE OF AN ALREADY EXISTING DROP ROD SYSTEM
- ▶ **MULTI ACCESS** - COMPACT RANGE IDEAL FOR RESTRICTED SPACES WITH TOP OR BOTTOM ACCESS AS STANDARD
- ▶ **PATENTED FLOATING FAN** - QUIET FAN



60Hz



CONSULTANTS SPECIFICATION



CASING

Heavy gauge, corrosion resistant aluzinc and tested to leakage class 'L2'.



MOTOR

ERP 2016 rated, low energy, high efficiency IP54 EC motorised fans providing low specific fan powers and stepless speed control without tonal noise generation. Fan/motor assemblies have sealed for life bearings with an anticipated working life of 70,000 hours (L10) and shall be suitable for single phase supply.



CERTIFICATION AND OPERATING TEMPERATURE

Units are suitable for operation in ambient temperatures of up to 60°C (unit sizes 1-5) and up to 40°C (unit sizes 6-7).



IMPELLER

Impellers shall be of high efficiency, performance and sound optimised backward curved design.



SOUND

Standard case with patented 'Floating fan' construction to ensure quiet operation.



INSTALLATION

The unit will be manufactured to provide a low height solution to enable it to be located in low depth ceiling and floor voids. The units shall have a maximum depth of 233/300/345/370/410/455/500mm (models DS1-7). For ease of installation the unit shall be supplied complete with 4 mounting brackets for inclusion into a drop rod mounting system. Suitable for both internal and external applications.



PERFORMANCE

Units are designed for duty range up to 1.1m³/s.



ANCILLARIES

- Fast clamps
- Circular flexible connector
- Silencer internal
- Silencer external
- Anti-vibration mounts



APPLICATIONS

- Small and large offices
- Student accommodation
- Hotels
- Hospital
- Supermarkets

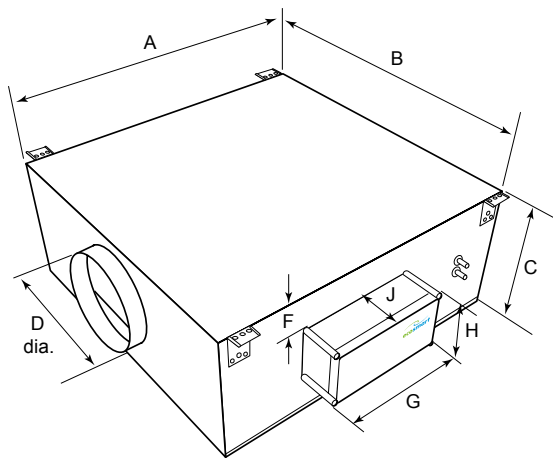


MAINTENANCE

Top or bottom access as standard for easy maintenance.



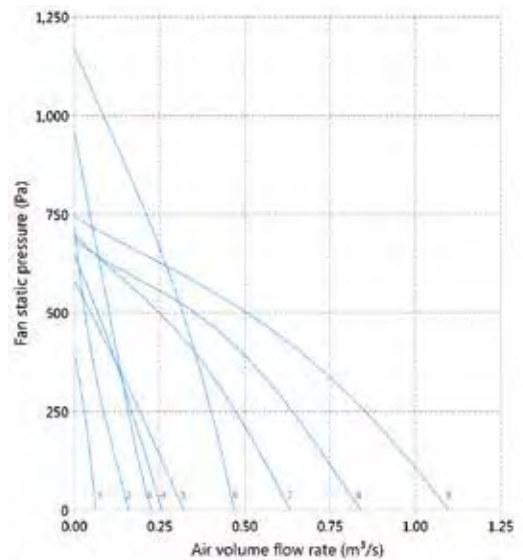
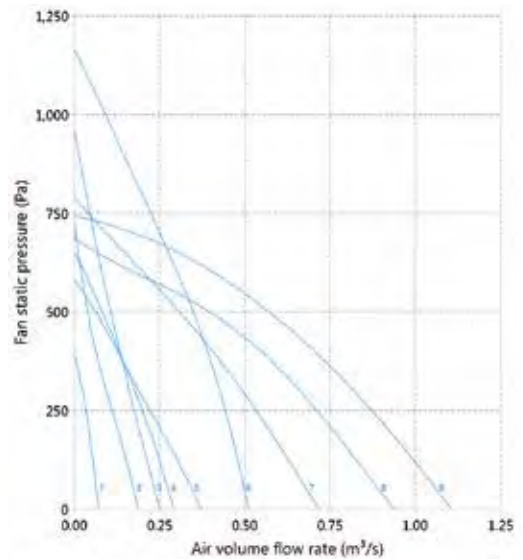
DIRECT DRIVEN INLINE CENTRIFUGAL - DAVE



CODING DE2HA-ESH

D	E	2	HA	ES	H
1	2	3	4	5	6

- 1. D - Dave fan range
- 2. E - Extract/s- supply
- 3. 2 - Case size
- 4. HA - High pressure/only A - extended case
- 5. ES - Ecosmart
- 6. H - 220v



DIMENSIONS (MM) AND WEIGHT (KG)

MODEL	A	B	C	D	E	F	G	WEIGHT
DE1H	604	559	237	150	120	45	480	25
DE1AH	1004	559	237	150	120	45	480	30
DE2H	604	696	304	200	120	78	480	25
DE2AH	1004	696	304	200	120	78	480	40
DE3H	604	780	349	200	120	87	480	30
DE3AH	1004	780	349	200	120	87	480	50
DE4H	604	840	374	250	120	122	480	35
DE4AH	1004	840	374	250	120	122	480	67
DE5H	604	984	414	315	120	131	480	59
DE5AH	1004	984	414	315	120	131	480	70
DE6H	604	1092	459	400	120	154	480	69
DE6AH	1004	1092	459	400	120	154	480	75
DE7H	604	1200	504	400	120	176	480	82
DE7AH	1004	1200	504	400	120	176	480	90
DS1A-NESH	1004	559	237	150	120	180	480	30
DS2A-NESH	1004	696	304	200	120	180	480	40
DS3A-NESH	1004	780	349	200	120	180	480	45
DS4A-NESH	1004	840	374	250	120	180	480	50
DS5A-NESH	1150	984	414	315	120	180	480	75
DS6A-NESH	1150	1092	459	400	120	180	480	80
DS7A-NESH	1150	1200	504	400	120	180	480	95

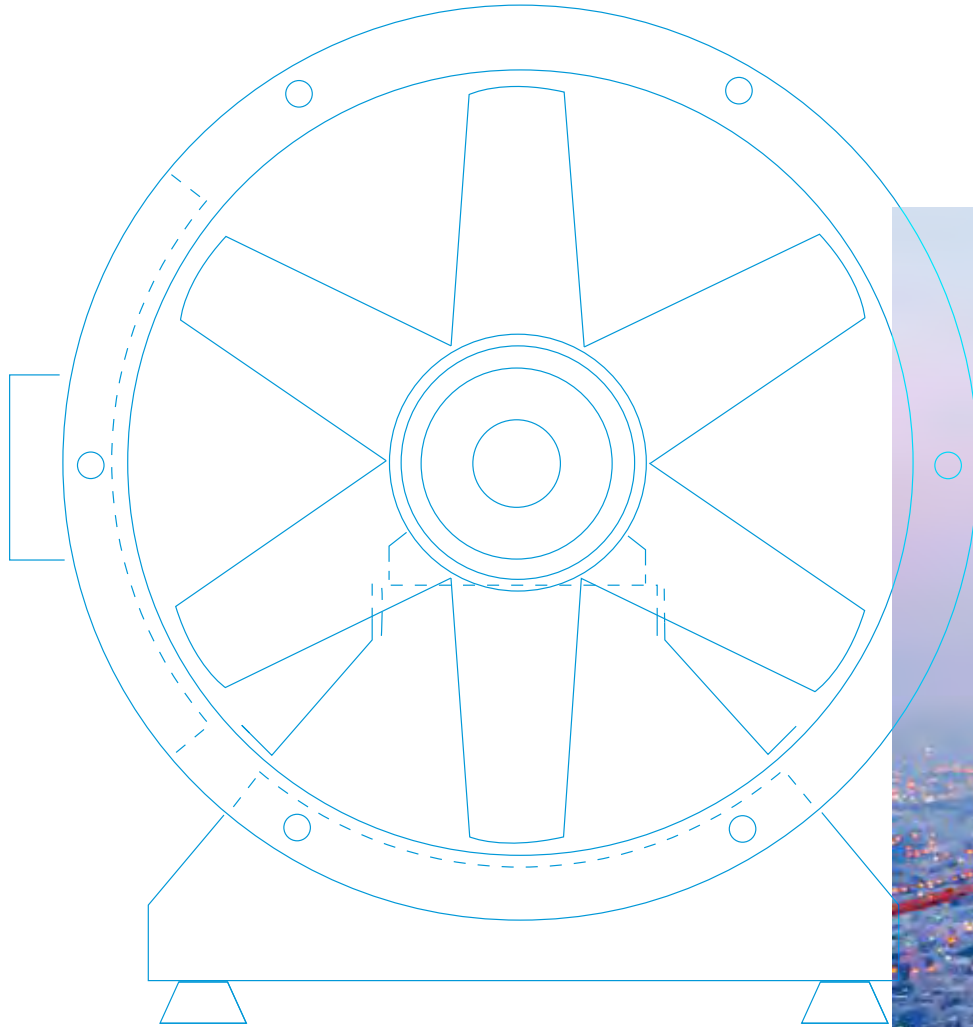
EXTRACT

CURVE	CODE	PHASE	RPM SPEED	MOTOR CURRENTS		SOUND POWER LEVELS RE 1 PWATT (Hz) INDUCT INLET								dB(A) @3M
				FLC	SC (DOL)	63	125	250	500	1K	2K	4K	8K	
1	DE1-ESH	1	3770	0.27	0.27	71	61	63	53	51	46	45	43	22
2	DE2-ESH	1	3200	0.75	0.75	69	66	60	59	54	52	53	52	24
3	DE2H-ESH	1	4060	1.4	1.4	77	72	68	70	61	61	61	65	30
4	DE3-ESH	1	2860	1.4	1.4	79	76	62	65	59	56	57	57	34
5	DE4-ESH	1	2550	1.35	1.35	73	72	62	63	56	54	55	54	25
6	DE4H-ESH	1	3700	3.3	3.3	81	80	69	78	69	68	64	71	37
7	DE5-ESH	1	2250	2.2	2.2	89	89	74	72	63	62	61	56	40
8	DE6-ESH	1	1710	2.9	2.9	91	88	76	68	67	63	61	54	40
9	DE7-ESH	1	1650	3.5	3.5	86	92	79	72	67	64	62	61	41

SUPPLY

1	DS1A-EESH	1	3770	0.27	0.27	59	58	57	51	47	43	47	41	14
2	DS2A-EESH	1	3200	0.75	0.75	68	64	59	57	52	51	51	49	18
3	DS2HA-EESH	1	4060	1.4	1.4	75	72	64	71	58	59	58	58	24
4	DS3A-EESH	1	2860	1.4	1.4	81	74	62	64	57	55	57	55	29
5	DS4A-EESH	1	2550	1.35	1.35	76	72	63	64	56	55	53	51	22
6	DS4HA-EESH	1	3700	3.3	3.3	83	78	69	73	69	68	64	66	32
7	DS5A-EESH	1	2250	2.2	2.2	84	85	78	69	61	60	58	52	38
8	DS6A-EESH	1	1710	2.9	2.9	81	78	79	73	62	60	58	52	38
9	DS7A-EESH	1	1650	3.5	3.5	81	83	76	71	66	64	60	61	37

Range above shows EcoSmart Control option, other options are available. Contact Nuaire for details.



NUAIRE. FOR THE COMPLETE VENTILATION SOLUTION

T +44(0)29 2085 8484 E INTERNATIONAL@NUAIRE.CO.UK W NUAIRE.CO.UK [@NUAIREGROUP](https://twitter.com/NUAIREGROUP)

